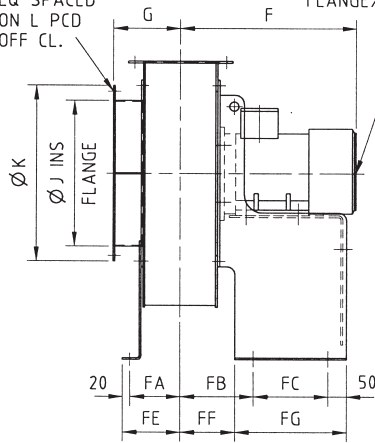


'J' SERIES FANS

NOTE CLOCKWISE ROTATION SHOWN
FOR ANTI CLOCKWISE ROTATION
SYMMETRICALLY OPPOSITE

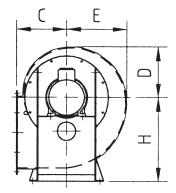
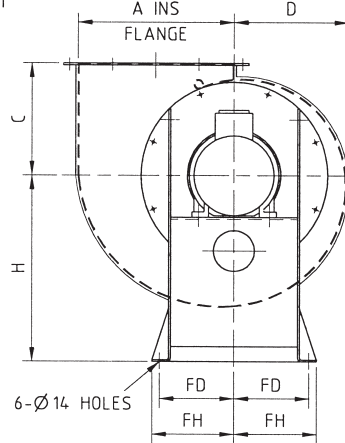
INLET FLANGE

8-HOLES $\varnothing 12$
EQ SPACED
ON L PCD
OFF CL.

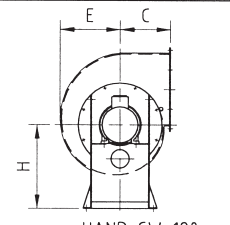


ELECTRIC MOTOR

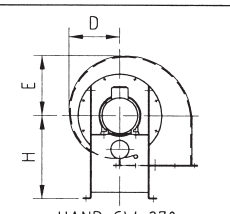
415V/3Ph/50Hz
FLANGE/FOOT MOUNT



HAND CW 0

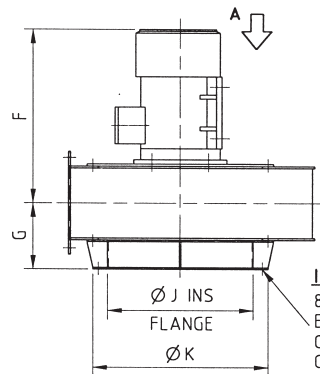


HAND CW 180

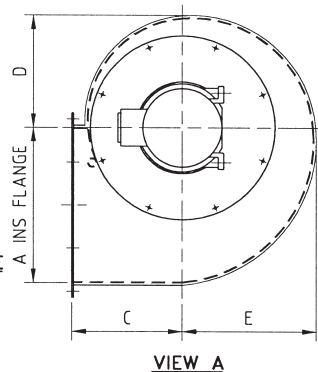


HAND CW 270
INLET FOOT REMOVED

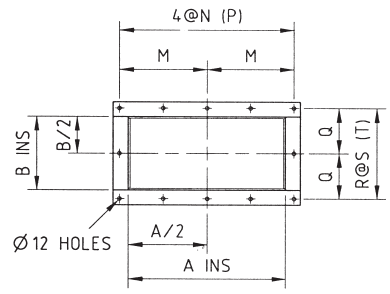
ARRANGEMENT 4 DIRECT DRIVE



INLET FLANGE
8-HOLES $\varnothing 12$
EQ SPACED
ON L PCD
OFF CL.

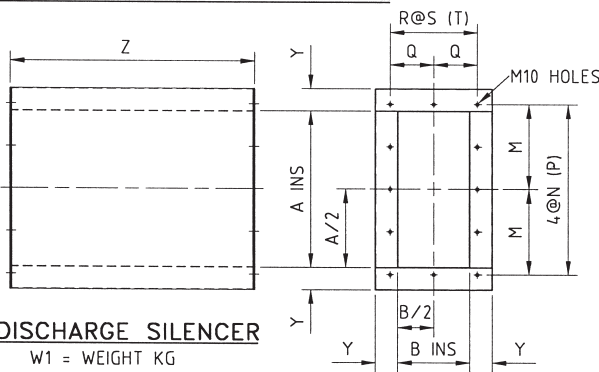


VIEW A

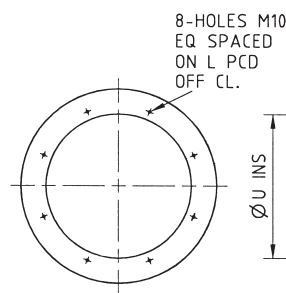


DISCHARGE FLANGE
40x5 FLAT

ARRANGEMENT 4F DIRECT DRIVE



DISCHARGE SILENCER
W1 = WEIGHT KG



INLET SILENCER
W2 = WEIGHT KG

DIMENSIONS SHOULD NOT BE USED FOR CONSTRUCTIONAL PURPOSES WITHOUT OUR CERTIFICATION

SIZE	GENERAL								INLET FL.				DISCHARGE FLANGE								SILENCER								FOUNDATION FOOTINGS								MOTOR			WT
	A	B	C	D	E	F	G	H	J	K	L	M	N	P	Q	R	S	T	U	V	W1	W2	X	Y	Z	FA	FB	FC	FD	FE	FF	FG	FH	KW	RPM	FRAME	KG			
J20	378	180	275	272	320	390	170	440	350	430	400	212	106	424	113	2	113	226	-	-	-	-	-	-	-	125	176	180	175	145	136	260	195	1.5	2850	D90S	95			
J25	378	180	275	272	320	390	170	440	350	430	400	212	106	424	113	2	113	226	-	-	-	-	-	-	-	125	176	180	175	145	136	260	195	2.2	2850	D90L	98			
J30	422	200	300	305	360	472	180	500	390	470	440	234	117	468	123	2	123	246	384	540	46	35	600	78	600	135	196	200	200	155	146	300	220	4.0	2850	D112M	132			
J35	478	228	350	342	406	555	209	550	442	522	492	262	131	524	137	2	137	274	436	592	50	39	600	78	600	149	210	240	215	169	160	340	235	5.5	2850	D132S	180			
J40	478	228	350	342	406	555	209	550	442	522	492	262	131	524	137	2	137	274	436	592	50	39	600	78	600	149	210	240	215	169	160	340	235	7.5	2850	D132S	180			
J45	550	260	400	396	466	570	225	620	506	586	556	298	149	596	153	2	153	306	500	706	89	68	900	103	900	165	226	260	240	185	176	360	260	11.0	2900	D160M	226			
J50	550	260	400	396	466	570	225	620	506	586	556	298	149	596	153	2	153	306	500	706	89	68	900	103	900	165	226	260	240	185	176	360	260	15.0	2900	D160M	268			
J55	590	278	420	424	500	680	234	650	542	622	592	318	159	636	162	3	108	324	536	742	119	107	1500	103	1200	174	235	300	240	194	185	400	260	18.5	2900	D160L	304			
J60	590	278	420	424	500	680	234	650	542	622	592	318	159	636	162	3	108	324	536	742	119	107	1500	103	1200	174	235	300	240	194	185	400	260	15.0	2900	D160M	286			
JA62	590	278	420	424	500	680	234	650	542	622	592	318	159	636	162	3	108	324	536	742	94	91	1200	103	900	174	235	300	240	194	185	400	260	18.5	2900	D160L	314			
JA64	590	278	420	424	500	680	234	650	542	622	592	318	159	636	162	3	108	324	536	742	119	91	1200	103	1200	174	235	300	240	194	185	400	260	18.5	2900	D160L	314			
J65	590	278	420	424	500	727	234	650	542	622	592	318	159	636	162	3	108	324	536	742	144	128	1800	103	1500	174	235	300	240	194	185	400	260	22.0	2900	D180M	343			