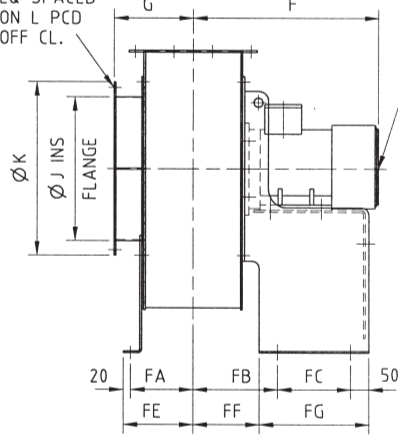


'K' SERIES FANS

INLET FLANGE

8-HOLES $\varnothing 12$
EQ SPACED
ON L PCD
OFF CL.

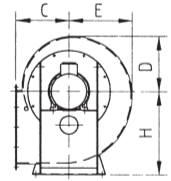
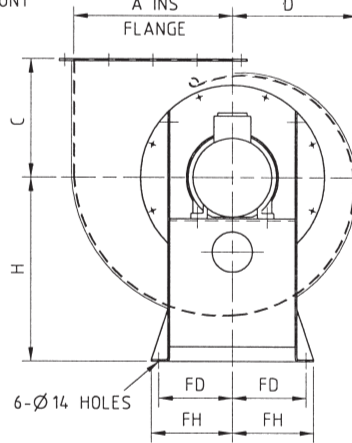


ARRANGEMENT 4 DIRECT DRIVE

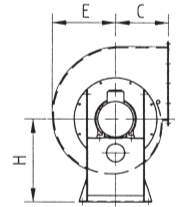
ELECTRIC MOTOR

415V/3Ph/50Hz
FLANGE/FOOT MOUNT

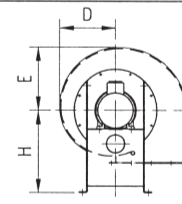
NOTE CLOCKWISE ROTATION SHOWN
FOR ANTI CLOCKWISE ROTATION
SYMMETRICALLY OPPOSITE



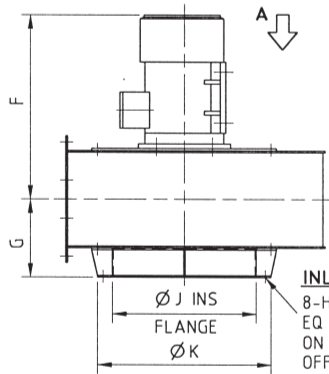
HAND CW 0



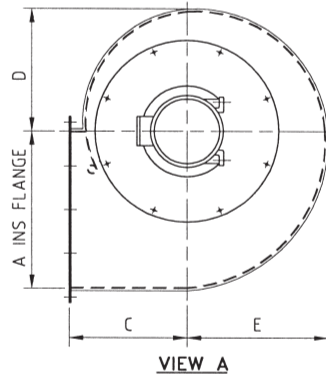
HAND CW 180



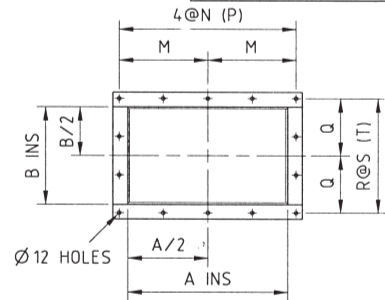
**HAND CW 270
INLET FOOT REMOVED**



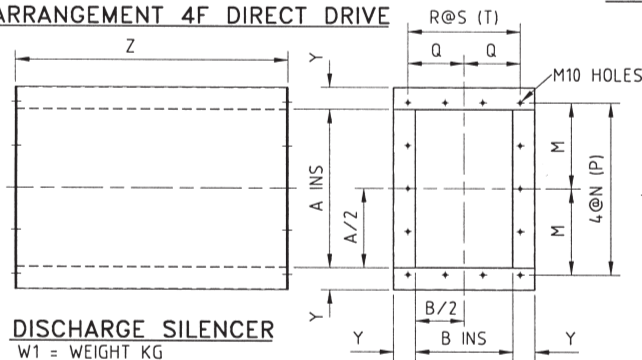
ARRANGEMENT 4F DIRECT DRIVE



VIEW A

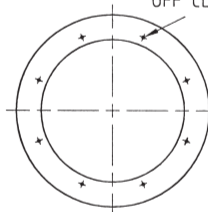


**DISCHARGE FLANGE
40x5 FLAT**



**DISCHARGE SILENCER
W1 = WEIGHT KG**

8-HOLES M10
EQ SPACED
ON L PCD
OFF CL.



**INLET SILENCER
W2 = WEIGHT KG**

DIMENSIONS SHOULD NOT BE USED FOR CONSTRUCTIONAL PURPOSES WITHOUT OUR CERTIFICATION

SIZE	GENERAL								INLET FL.				DISCHARGE FLANGE								SILENCER								FOUNDATION FOOTINGS								MOTOR				WT
	A	B	C	D	E	F	G	H	J	K	L	M	N	P	Q	R	S	T	U	V	W1	W2	X	Y	Z	FA	FB	FC	FD	FE	FF	FG	FH	KW	RPM	FRAME	KG				
K20	388	240	290	303	345	400	200	440	350	430	400	218	109	436	144	3	96	288	-	-	-	-	-	-	-	155	206	180	175	175	166	260	195	1.5	2850	D90S	106				
K25	388	240	290	303	345	420	200	440	350	430	400	218	109	436	144	3	96	288	-	-	-	-	-	-	-	155	206	180	175	175	166	260	195	2.2	2850	D90L	109				
K30	432	268	320	336	384	506	214	500	390	470	440	240	120	480	159	3	106	318	-	-	-	-	-	-	-	169	230	200	200	189	180	300	220	4.0	2850	D112M	150				
K35	432	268	320	336	384	506	214	500	390	470	440	240	120	480	159	3	106	318	384	540	50	35	600	78	600	169	230	200	200	189	180	300	220	4.0	2850	D112M	150				
K40	490	304	360	380	434	593	247	550	442	522	492	268	134	536	177	3	118	354	436	592	55	39	600	78	600	187	248	240	215	207	198	340	235	5.5	2850	D132S	200				
K45	490	304	360	380	434	593	247	550	442	522	492	268	134	536	177	3	118	354	436	592	64	39	600	103	600	187	248	240	215	207	198	340	235	7.5	2850	D132S	200				
K50	562	350	410	437	498	615	270	620	506	586	556	304	152	608	198	3	132	396	500	706	97	68	900	103	900	210	271	260	240	230	221	360	260	11.0	2900	D132M	240				
K55	562	350	410	437	498	665	270	620	506	586	556	304	152	608	198	3	132	396	500	706	124	86	1200	103	1200	210	271	260	240	230	221	360	260	15.0	2900	D160M	282				
K60	604	374	440	468	534	728	282	650	542	622	592	326	163	652	210	3	140	420	536	742	158	110	1500	103	1500	222	283	300	240	242	233	400	260	18.5	2900	D160L	324				
KA62	604	374	440	468	534	682	282	650	542	622	592	326	163	652	210	3	140	420	536	742	130	90	1200	103	1200	222	283	300	240	242	233	400	260	15.0	2900	D160M	304				
KA64	604	374	440	468	534	728	282	650	542	622	592	326	163	652	210	3	140	420	536	742	130	90	1200	103	1200	222	283	300	240	242	233	400	260	18.5	2900	D160L	332				
K65	604	374	440	468	534	775	282	650	542	622	592	326	163	652	210	3	140	420	536	742	186	128	1800	103	1800	222	283	300	240	242	233	400	260	22.0	2900	D180M	364				