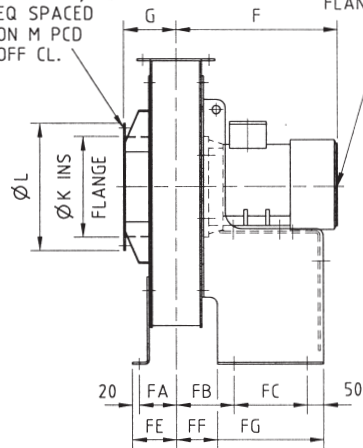


'L' SERIES FANS

INLET FLANGE

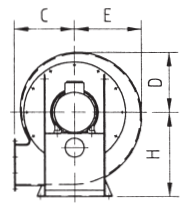
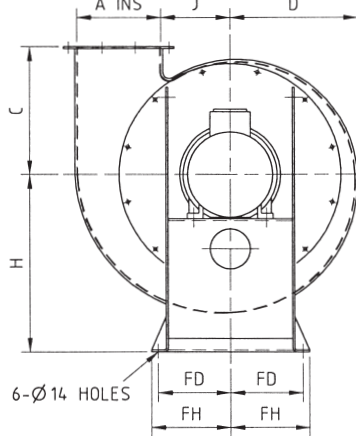
8-HOLES $\varnothing 12$
EQ SPACED
ON M PCD
OFF CL.



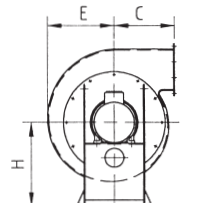
ELECTRIC MOTOR

4.15V/3Ph/50Hz
FLANGE/FOOT MOUNT

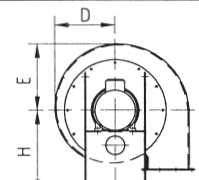
NOTE CLOCKWISE ROTATION SHOWN
FOR ANTI CLOCKWISE ROTATION
SYMMETRICALLY OPPOSITE



HAND CW 0

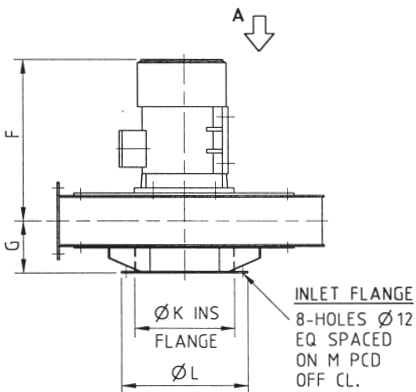


HAND CW 180

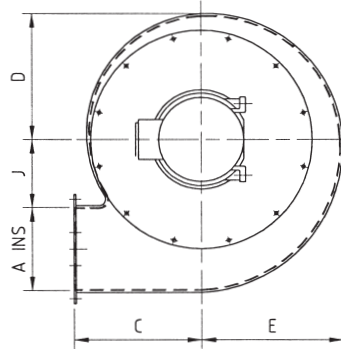


HAND CW 270
INLET FOOT REMOVED

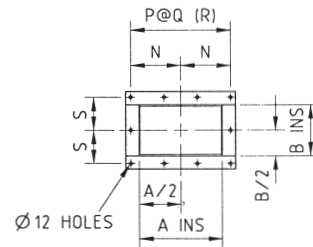
ARRANGEMENT 4 DIRECT DRIVE



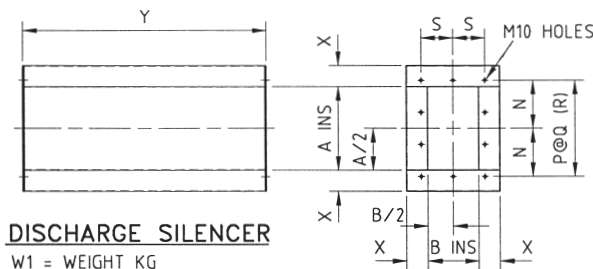
ARRANGEMENT 4F DIRECT DRIVE



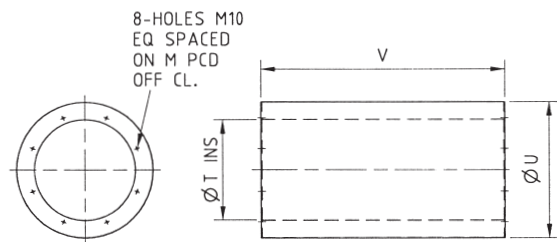
VIEW A



DISCHARGE FLANGE
40x5 FLAT



DISCHARGE SILENCER
W1 = WEIGHT KG



INLET SILENCER
W2 = WEIGHT KG

DIMENSIONS SHOULD NOT BE USED FOR CONSTRUCTIONAL PURPOSES WITHOUT OUR CERTIFICATION

SIZE	GENERAL										INLET FL.			DISCHARGE FL.					SILENCER					FOUNDATION FOOTINGS					MOTOR			WT				
	A	B	C	D	E	F	G	H	J	K	L	M	N	P	Q	R	S	T	U	V	W1	W2	X	Y	FA	FB	FC	FD	FE	FF	FG	FH	KW	RPM	FRAME	KG
L20	198	122	300	303	335	340	141	420	328	238	318	288	122	2	122	244	84	-	-	-	-	-	-	96	147	180	175	116	107	260	195	1.5	2850	D90S	90	
L25	198	122	300	303	335	360	141	420	328	238	318	288	122	2	122	244	84	244	400	600	22	25	78	600	96	147	180	175	116	107	260	195	2.2	2850	D90L	93
L30 L35	220	136	340	337	373	440	148	470	184	266	346	316	135	3	90	270	93	270	426	600	24	27	78	600	103	164	200	200	123	114	300	220	4.0	2850	D112M	110
L40	250	154	380	380	420	486	157	530	206	300	380	350	150	3	100	300	100	300	456	600	26	29	78	600	113	173	220	215	132	123	320	235	5.5	2850	D132S	185
L45	250	154	380	380	420	486	157	530	206	300	380	350	150	3	100	300	100	300	506	600	32	34	103	600	113	173	220	215	132	123	320	235	7.5	2850	D132S	185
L50	286	178	440	435	483	530	184	590	238	344	424	394	168	3	112	336	114	338	544	900	47	51	103	900	124	185	260	240	144	135	360	260	11.0	2900	D132M	222
L55	286	178	440	435	483	580	184	590	238	344	424	394	168	3	112	336	114	338	544	1200	43	63	103	900	124	185	260	240	144	135	360	260	15.0	2900	D160M	263
L60	308	190	470	467	519	637	190	650	256	368	448	418	177	3	118	354	118	354	560	1200	62	83	103	1200	130	191	300	230	150	101	440	250	18.5	2900	D160L	314
L65	308	190	470	467	519	680	190	650	256	368	448	418	177	3	118	354	118	354	560	1500	62	100	103	1200	130	191	300	230	150	101	440	250	22.0	2900	D180M	352