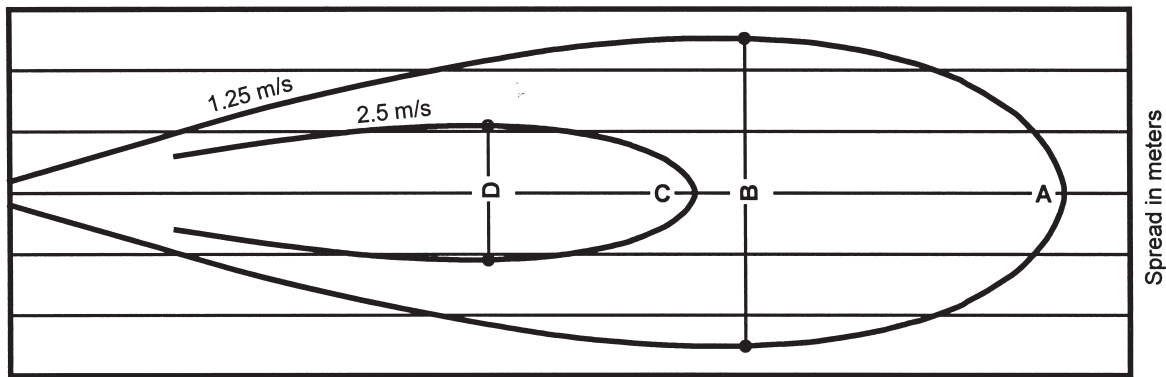
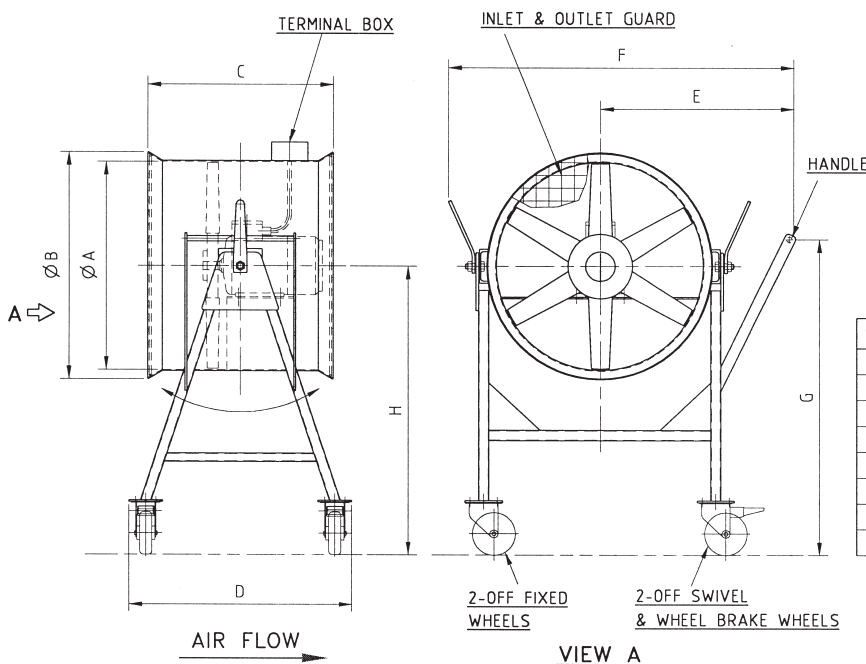


Fan diam. mm	Speed rpm	Motor kw	Free Airflow l/s	Velocity @ fan outlet m/s	Noise dbA @ 1m	A (m)	B (m)	C (m)	D (m)
380	1440	0.37	1320	11.6	66	14.0	4.0	10.0	2.0
380	2850	0.75	2040	18.0	80	20.0	6.0	14.0	2.6
380	2850	1.5	2500	22.0	82	25.0	7.5	17.5	3.0
480	1440	0.75	2640	14.6	72	21.0	6.5	14.5	2.5
480	2850	1.5	3500	19.3	85	26.0	7.8	18.2	3.4
480	2850	2.2	4000	22.1	86	30.0	9.0	21.0	4.0
610	960	0.55	3400	11.6	69	22.0	6.5	15.5	3.0
610	1440	1.1	4320	14.8	77	28.0	8.4	19.6	3.6
610	1440	2.2	5400	18.5	79	35.0	10.5	24.5	4.5
760	960	1.5	6670	14.7	76	30.0	9.0	21.0	4.0
760	1440	2.2	7470	16.5	83	37.0	11.0	26.0	5.0
760	1440	3	8330	18.4	84	44.0	13.0	31.0	5.5
965	720	2.2	9800	13.4	76	37.0	11.0	26.0	5.0
965	960	3	11500	15.7	81	48.0	14.5	33.5	6.0



Air Throw = Distance from fan in meters

### 'MC' SERIES PORTABLE MANCOOLER



MODEL	MC380	MC480	MC610	MC760	MC965
A	380	480	610	760	965
B	420	520	665	820	1030
C	420	420	550	550	700
D	560	560	660	660	660
E	454	505	578	660	765
F	755	856	1020	1185	1395
G	850	850	930	930	930
H	750	750	850	850	850