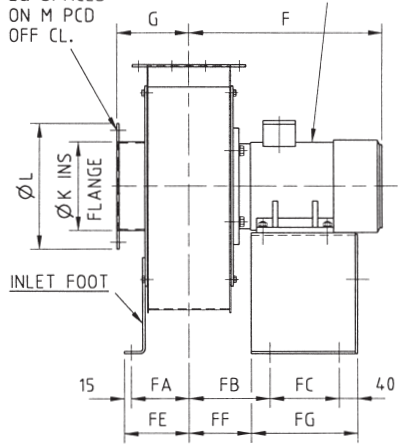


'N' SERIES FANS

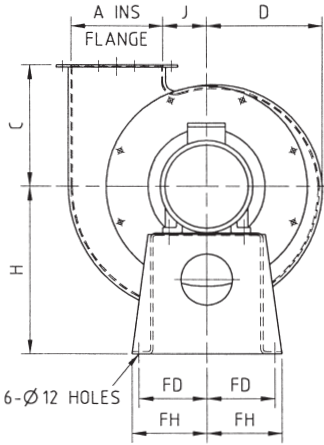
NOTE CLOCKWISE ROTATION SHOWN
FOR ANTI CLOCKWISE ROTATION
SYMMETRICALLY OPPOSITE

INLET FLANGE
8-HOLES Ø12
EQ SPACED
ON M PCD
OFF CL.

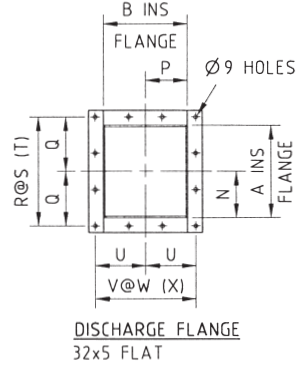
ELECTRIC MOTOR
415V/3Ph/50Hz
FLANGE/FOOT MOUNT



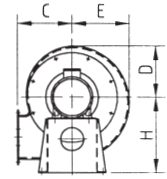
ARR 4 DIRECT DRIVE



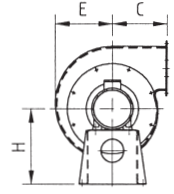
HAND CW 90



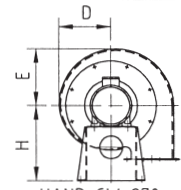
DISCHARGE FLANGE
32x5 FLAT



HAND CW 0



HAND CW 180



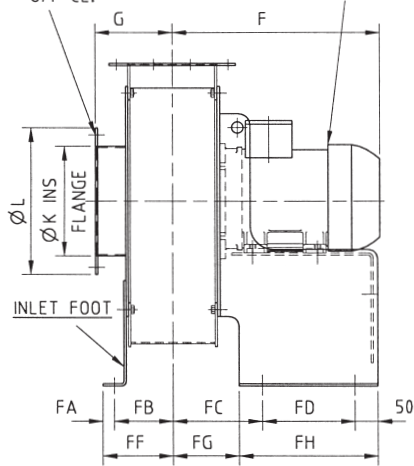
HAND CW 270
INLET FOOT REMOVED

SIZE	GENERAL										INLET FL.				DISCHARGE FLANGE								FOUNDATION FOOTINGS								MOTOR			WT
	A	B	C	D	E	F	G	H	J	K	L	M	N	P	Q	R	S	T	U	V	W	X	FA	FB	FC	FD	FE	FF	FG	FH	KW	RPM	FRAME	KG
N34	198	180	260	247	272	390	155	350	93	172	252	222	99	90	117	3	78	234	108	3	72	216	125	171	150	145	140	131	230	160	2.2	2850	D90L	76
N38	198	180	260	247	272	417	155	360	350	190	270	240	99	90	117	3	78	234	108	3	72	216	125	173	150	145	140	133	230	160	3.0	2850	D100L	84

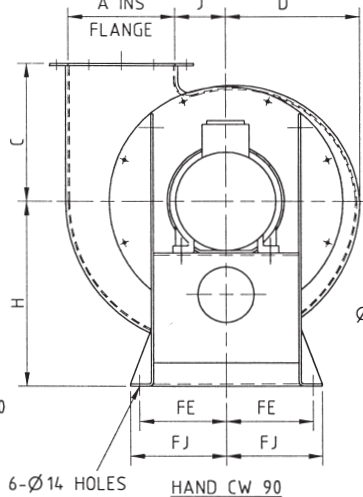
INLET FLANGE
8-HOLES Ø12
EQ SPACED
ON M PCD
OFF CL.

ELECTRIC MOTOR
415V/3Ph/50Hz
FLANGE/FOOT MOUNT

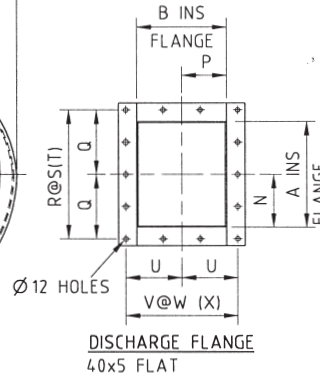
NOTE CLOCKWISE ROTATION SHOWN
FOR ANTI CLOCKWISE ROTATION
SYMMETRICALLY OPPOSITE



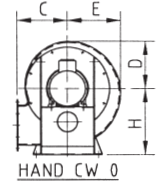
ARR 4 DIRECT DRIVE



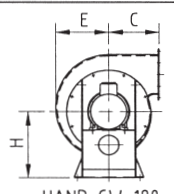
HAND CW 90



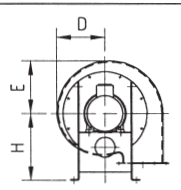
DISCHARGE FLANGE
40x5 FLAT



HAND CW 0



HAND CW 180



HAND CW 270
INLET FOOT REMOVED

DIMENSIONS SHOULD NOT BE USED FOR CONSTRUCTIONAL PURPOSES WITHOUT OUR CERTIFICATION

SIZE	GENERAL										INLET FL.				DISCHARGE FLANGE								FOUNDATION FOOTINGS								MOTOR			WT	
	A	B	C	D	E	F	G	H	J	K	L	M	N	P	Q	R	S	T	U	V	W	X	FA	FB	FC	FD	FE	FF	FG	FH	FJ	KW	RPM	FRAME	KG
N42	230	192	300	286	315	446	166	400	108	216	296	266	115	96	140	4	70	280	120	3	80	240	25	126	192	200	185	151	142	300	205	4.0	2850	D112M	123
N44	230	192	300	286	315	446	166	400	108	216	296	266	115	96	140	4	70	280	120	3	80	240	25	126	192	200	185	151	142	300	205	4.0	2850	D112M	124
N46	230	192	300	286	315	446	166	400	108	238	318	288	115	96	140	4	70	280	120	3	80	240	25	126	192	200	185	151	142	300	205	4.0	2850	D112M	126
N48	230	192	300	286	315	446	166	400	108	238	318	288	115	96	140	4	70	280	120	3	80	240	25	126	192	200	185	151	142	300	205	5.5	2850	D112M	126
N54	198	122	300	302	334	400	131	430	164	184	264	234	99	61	120	3	80	240	84	2	84	168	20	96	157	160	185	116	107	260	205	3.0	2850	D100L	112
N62	220	136	340	337	373	440	138	470	184	216	296	266	110	68	135	3	90	270	93	2	93	186	20	103	164	200	200	123	114	300	220	4.0	2900	D112M	132
N66	220	136	340	337	373	440	138	470	184	216	296	266	110	68	135	3	90	270	93	2	93	186	20	103	164	200	200	123	114	300	220	4.0	2900	D112M	137
N68	220	136	340	337	373	440	138	470	184	216	296	266	110	68	135	3	90	270	93	2	93	186	20	103	164	200	200	123	114	300	220	5.5	2900	D112M	137
N72	250	154	380	380	420	524	148	530	206	238	318	288	125	77	150	3	100	300	100	2	100	200	20	113	173	220	215	133	123	320	235	5.5	2900	D132S	187
N74	250	154	380	380	420	524	148	530	206	238	318	288	125	77	150	3	100	300	100	2	100	200	20	113	173	220	215	133	123	320	235	7.5	2910	D132S	187
N76	250	154	380	380	420	524	148	530	206	238	318	288	125	77	150	3	100	300	100	2	100	200	20	113	173	220	215	133	123	320	235	7.5	2910	D132S	189
N78	250	154	380	380	420	524	148	530	206	238	318	288	125	77	150	3	100	300	100	2	100	200	20	113	173	220	215	133	123	320	235	11.0	2910	D132M	196