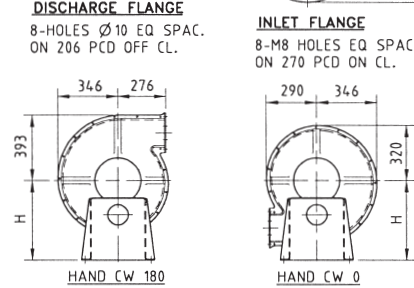
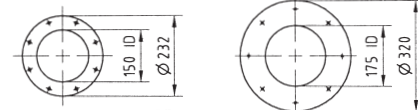
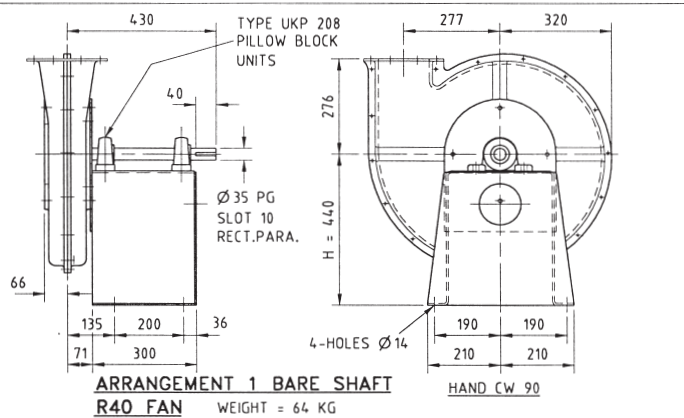
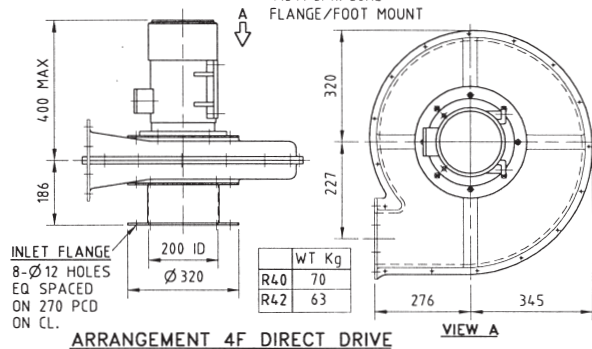
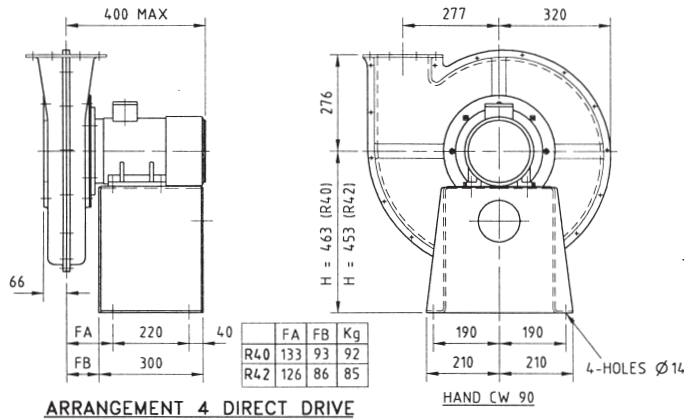


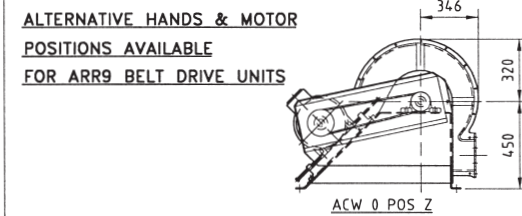
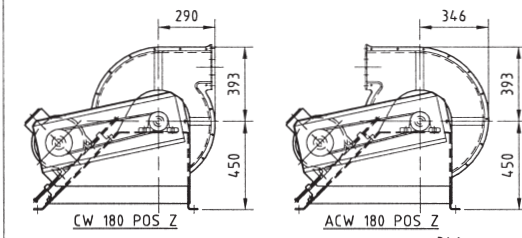
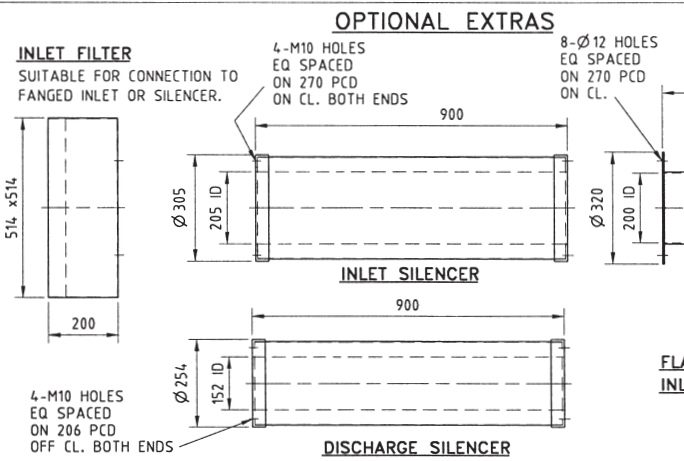
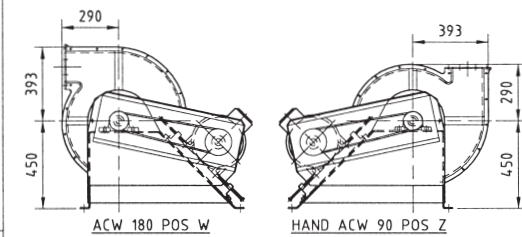
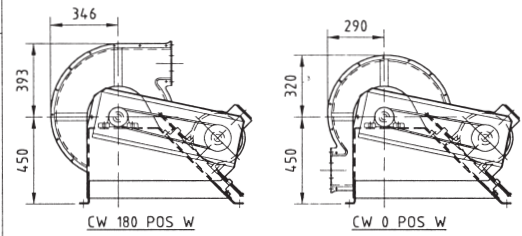
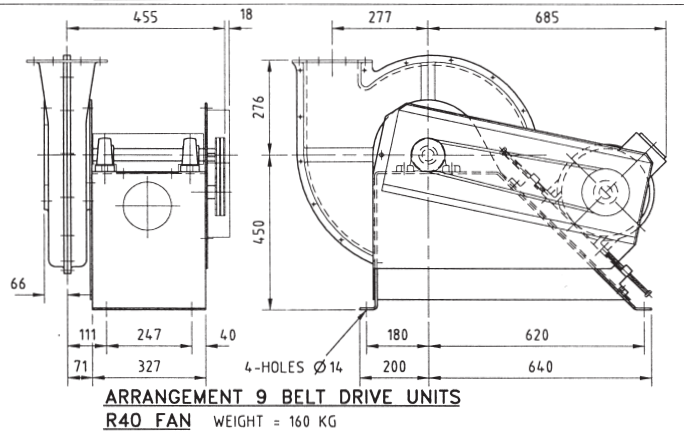
**'R' SERIES FANS**  
**R40 & R42 CAST BLOWERS**

**ELECTRIC MOTORS**

R40 FAN 3.0 KW D100L  
R42 FAN 2.2 KW D90L  
2850 RPM  
4.15V/3Ph/50Hz  
FLANGE/FOOT MOUNT



CLOCKWISE ROTATION SHOWN  
FOR ANTI CLOCKWISE ROTATION  
SYMMETRICALLY OPPOSITE



**ALTERNATIVE HANDS & MOTOR  
POSITIONS AVAILABLE  
FOR ARR9 BELT DRIVE UNITS**