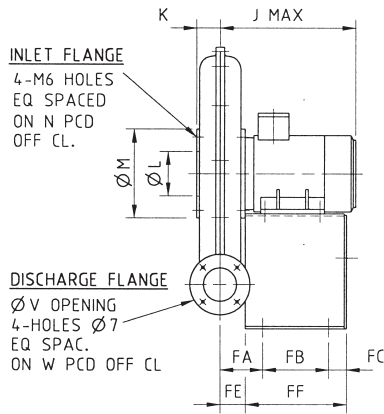
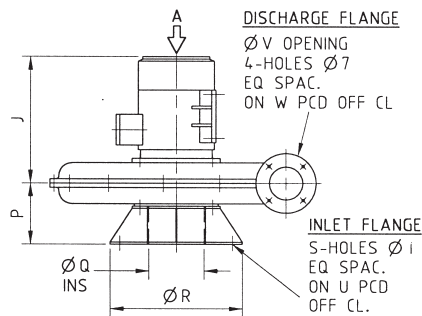


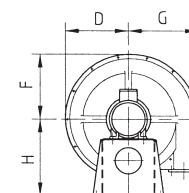
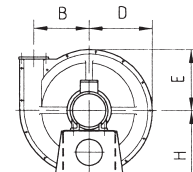
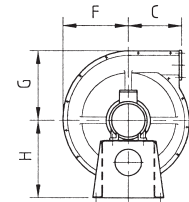
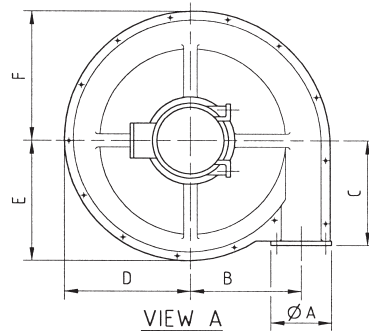
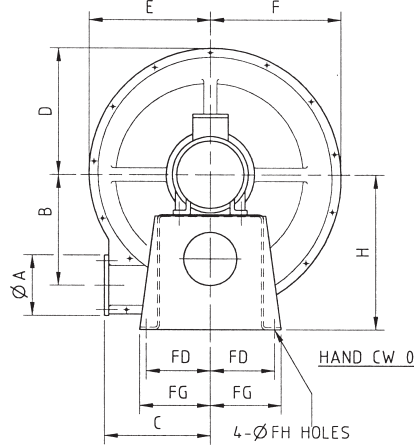
**'F' SERIES FANS
CAST BLOWERS**



ARRANGEMENT 4 DIRECT DRIVE



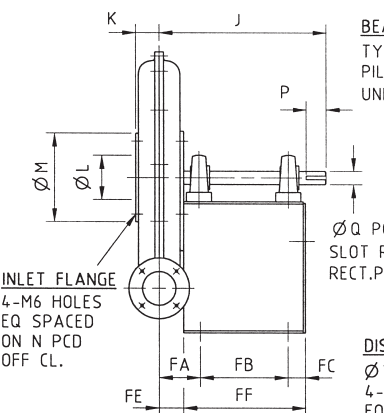
ARRANGEMENT 4F DIRECT DRIVE



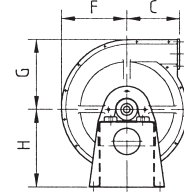
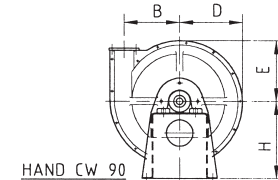
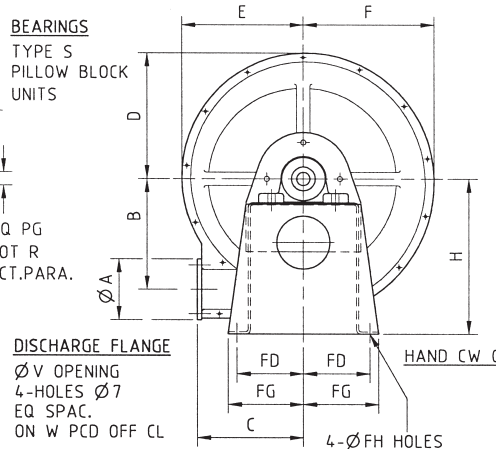
CLOCKWISE ROTATION SHOWN
FOR ANTI CLOCKWISE ROTATION
SYMMETRICALLY OPPOSITE

ELECTRIC MOTOR
415V/3Ph/50Hz
OR 240V/1Ph/50Hz

SIZE	GENERAL											INLET FLANGE								DISCH.		FOUNDATION FOOTINGS								MOTOR			WT
	A	B	C	D	E	F	G	H	J	K	L	M	N	P	Q	R	S	T	U	V	W	FA	FB	FC	FD	FE	FF	FG	FH	Kw	RPM	FRAME	
F10	112	185	205	205	200	225	235	275	235	36	90	156	130	105	96	250	6	10	210	65	97	70	110	35	120	45	170	135	10	0.55	2850	D71	23
F20	137	250	240	285	275	295	315	350	290	52	76	200	165	140	125	300	8	12	256	76	110	98	150	40	145	58	230	160	12	1.5	2850	D90S	44
F22	137	250	240	285	275	295	315	340	290	52	100	200	165	140	125	300	8	12	256	76	110	98	150	40	145	58	230	160	12	1.1	2850	D80	38
F24	137	250	240	285	275	295	315	350	290	52	100	200	165	140	125	300	8	12	256	76	110	98	150	40	145	58	230	160	12	1.5	2850	D90S	44
F26	137	250	240	285	275	295	315	350	290	52	100	200	165	140	125	300	8	12	256	76	110	98	150	40	145	58	230	160	12	2.2	2850	D90L	46
F28	137	250	240	285	275	295	315	350	290	52	125	200	165	140	125	300	8	12	256	76	110	98	150	40	145	58	230	160	12	2.2	2850	D90L	46
F32	170	309	300	360	346	366	380	463	383	61	130	250	215	-	-	-	-	-	-	90	140	123	220	40	190	83	300	210	14	3.0	2850	D100L	85
F34	170	309	300	360	346	366	380	475	406	61	130	250	215	-	-	-	-	-	-	90	140	123	220	40	190	83	300	210	14	4.0	2850	D112M	102



ARRANGEMENT 1 BARE SHAFT



CLOCKWISE ROTATION SHOWN
FOR ANTI CLOCKWISE ROTATION
SYMMETRICALLY OPPOSITE

SIZE	GENERAL											INLET FLANGE				DISCH.				FOUNDATION FOOTINGS								WT	
	A	B	C	D	E	F	G	H	J	K	L	M	N	P	Q	R	S	BRGS	V	W	FA	FB	FC	FD	FE	FF	FG		FH
F10	112	185	205	205	200	225	235	275	260	36	90	156	130	40	25	8	UKP	206	65	97	75	110	35	120	36	184	135	10	18
F24	137	250	240	285	275	295	315	350	380	52	100	200	165	50	30	8	UKP	X07	76	110	93	200	40	150	53	280	170	12	30
F32&F34	170	309	300	360	346	366	380	440	425	61	130	250	215	60	35	10	UKP	208	90	140	132	200	36	190	68	300	210	12	63