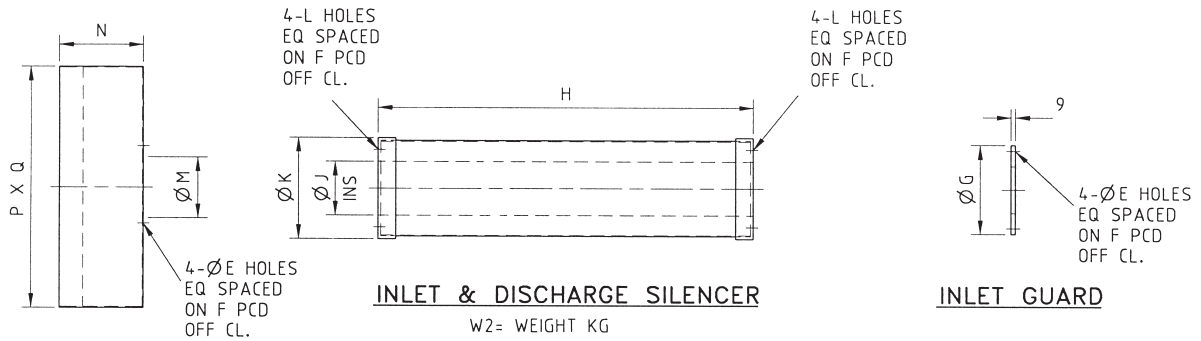


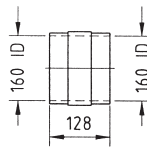
'B' SERIES FANS OPTIONAL EXTRAS



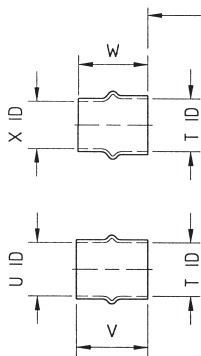
INLET FILTER

SUITABLE FOR CONNECTION TO INLET FLANGE OR SILENCER.

W1 = WEIGHT KG



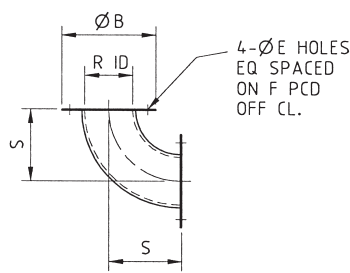
RUBBER ADAPTER TO SUIT B60 FAN ONLY



FAN SIDE CONNECTION

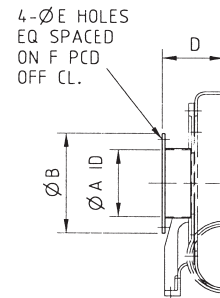
RUBBER ADAPTERS

SUPPLIED C/W HOSE CLIPS
SUITABLE FOR CONNECTION TO STEEL TUBING.



INLET ELBOW

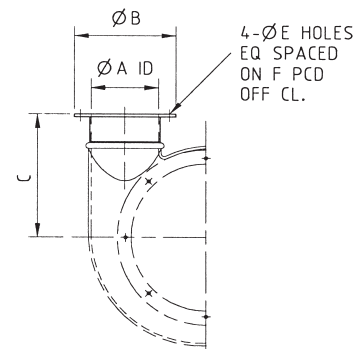
MATCHES INLET FLANGE
W3 = WEIGHT KG



FLANGED INLET

ARR 4 FAN ONLY

W4 = WEIGHT KG



FLANGED OUTLET

W4 = WEIGHT KG

SIZE	A	B	C	D	E	F	G	H	J	K	L	M	N	P	Q	R	S	T	U	V	W	X	WEIGHT KG			
																							W1	W2	W3	W4
B35	104	190	218	116	8	140	156	700	90	190	M6	100	150	317	317	90	136	102	102	134	146	89	6	5	4	2
B40	119	200	242	130	12	165	200	800	115	216	M10	128	180	514	412	102	155	127	127	152	146	102	10	8	5	2
B50	143	216	256	142	12	190	215	900	152	254	M10	128	180	514	412	128	193	140	152	152	146	128	10	12	14	3
B60	169	216	294	156	12	215	250	900	152	254	M10	150	200	514	514	150	230	178	203	152	140	152	10	12	14	3